

SolarEdge Home Hub Inverter - Three Phase

Quick Installation Guide
For Europe, APAC and South Africa



solaredge.com

SolarEdge Technologies GmbH, Werner-Eckert-Str. 6, 81829 Munich, Germany
Subject to change without notice.
© SolarEdge Technologies, Ltd.
All rights reserved. March 2023.

[Unpacking and
Mounting Video](#)



[Wiring Video](#)



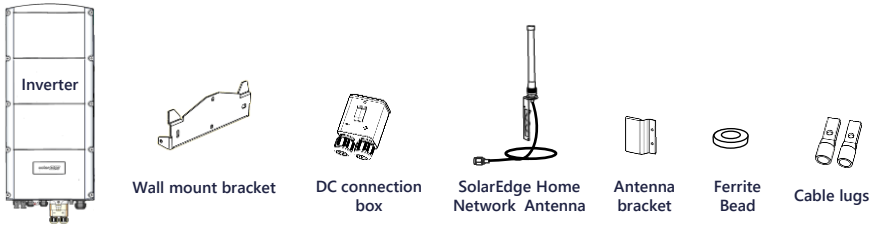
[Datasheet](#)



[Installation Guide](#)



What's in the Package



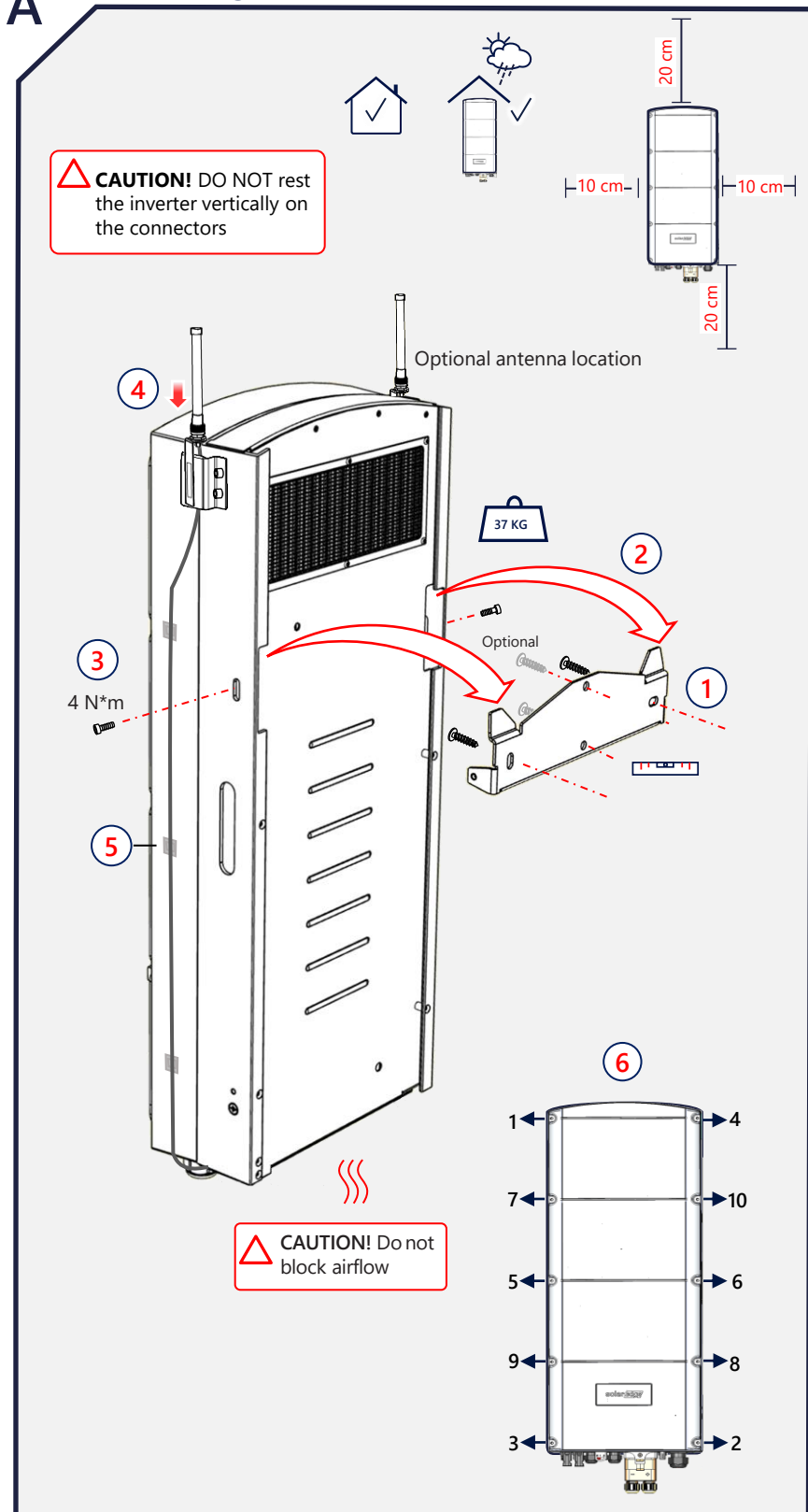
Tools and Materials



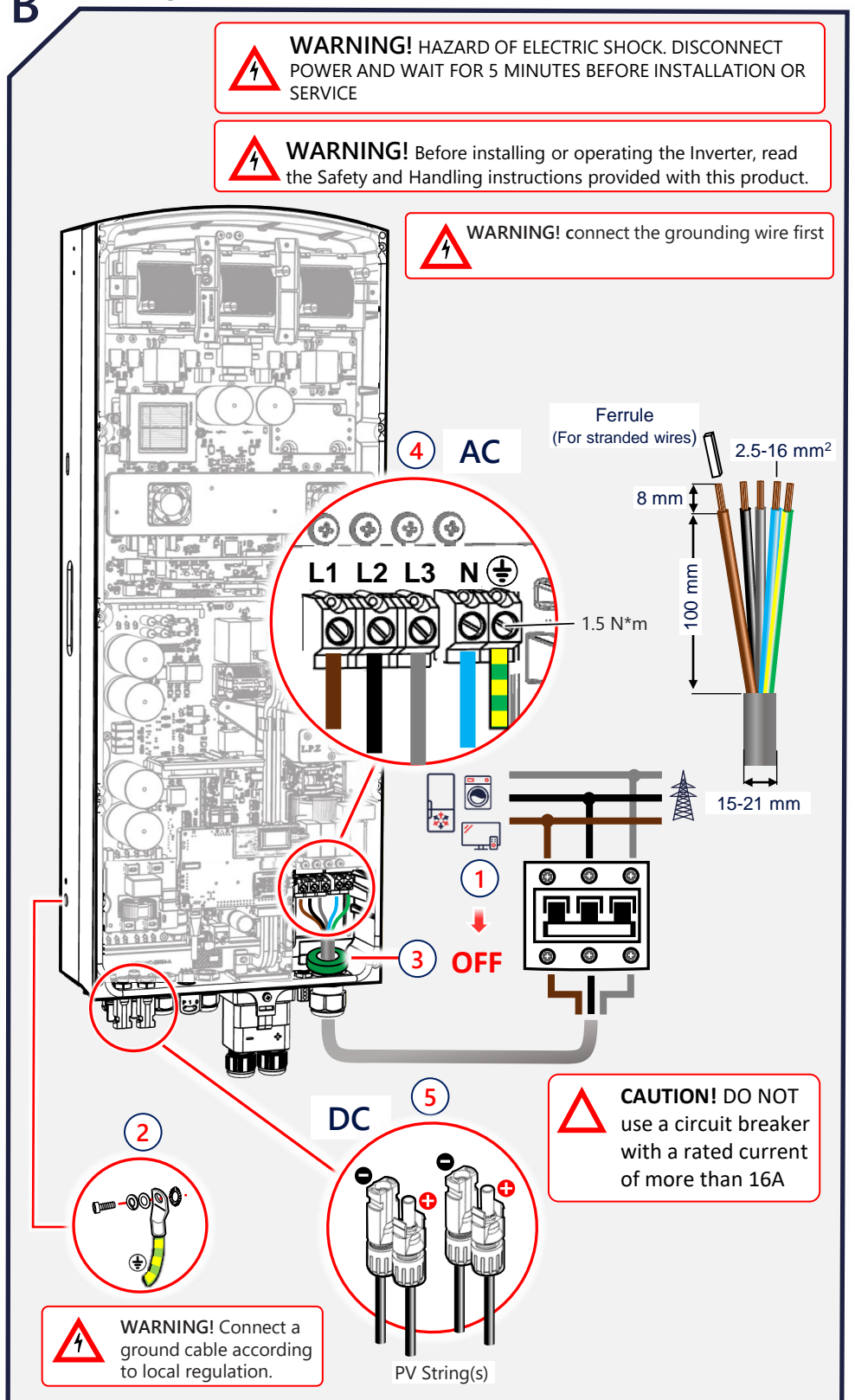
WARNING! This symbol denotes a hazard. It calls attention to a procedure that if not correctly performed or adhered to could result in injury or loss of life. Do not proceed beyond a warning note until the indicated conditions are fully understood and met.

CAUTION! Denotes a hazard. It calls attention to a procedure that, if not correctly performed or adhered to, could result in damage or destruction of the product. Do not proceed beyond a caution sign until the indicated conditions are fully understood and met.

A Mounting

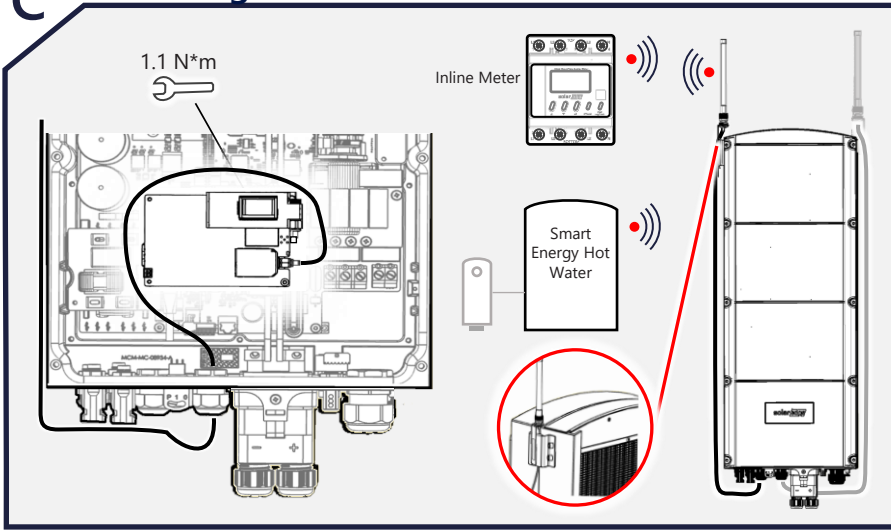


B Wiring

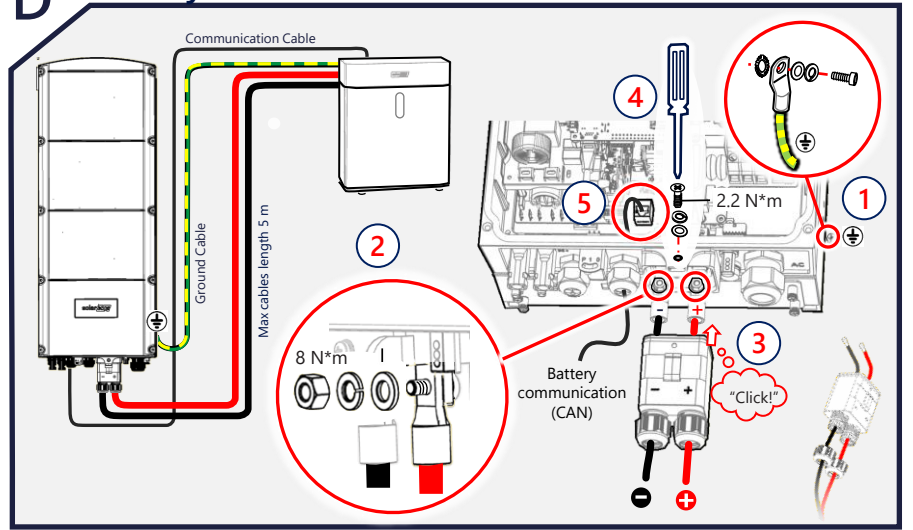


IMPORTANT! The connection to units and accessories shown here is for reference only. For detailed information, refer to the specific product guide.

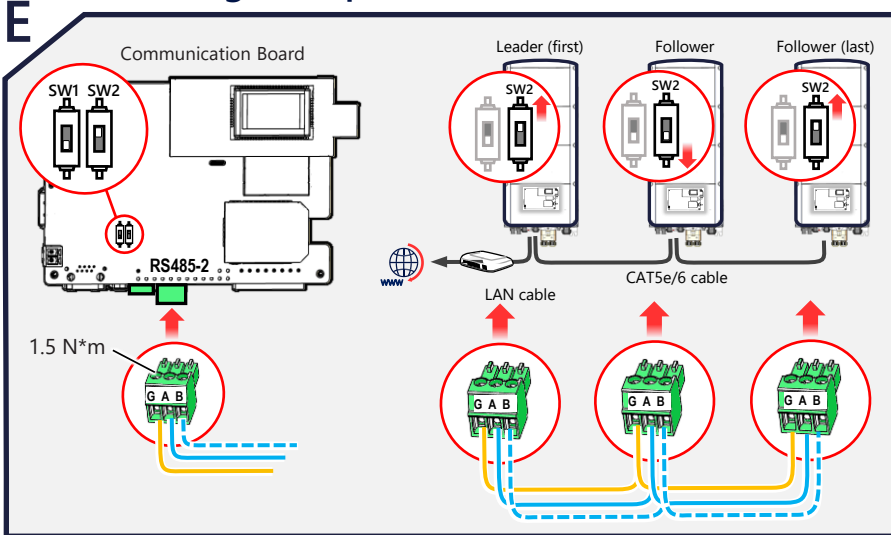
C SolarEdge Home Network Connection



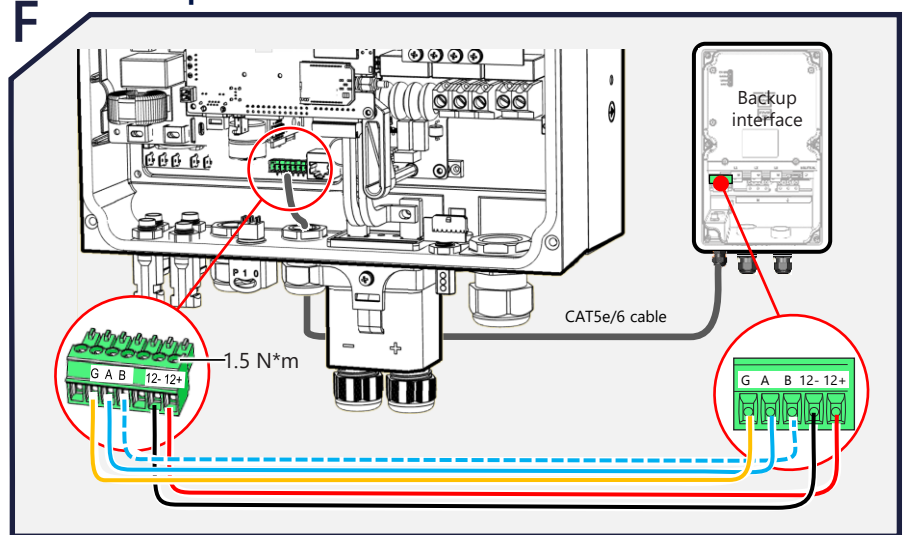
D Battery Connection



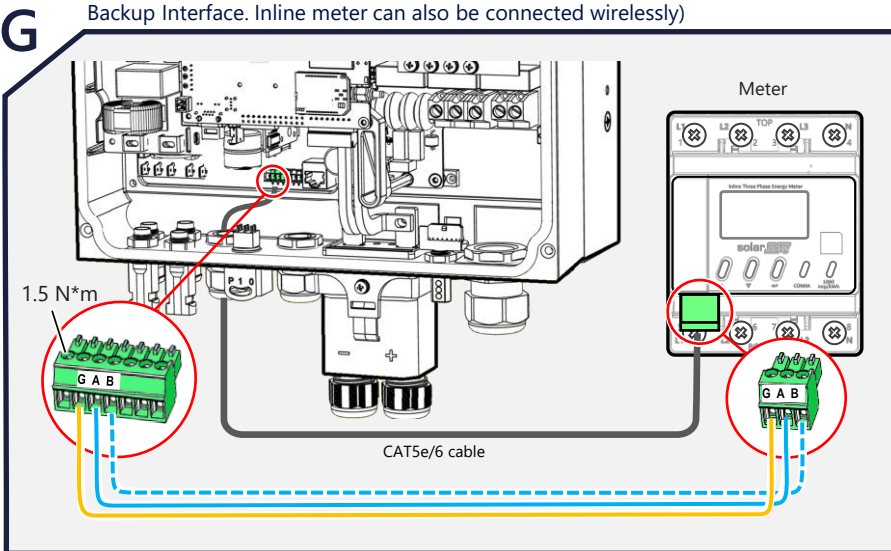
E Chaining Multiple Inverters



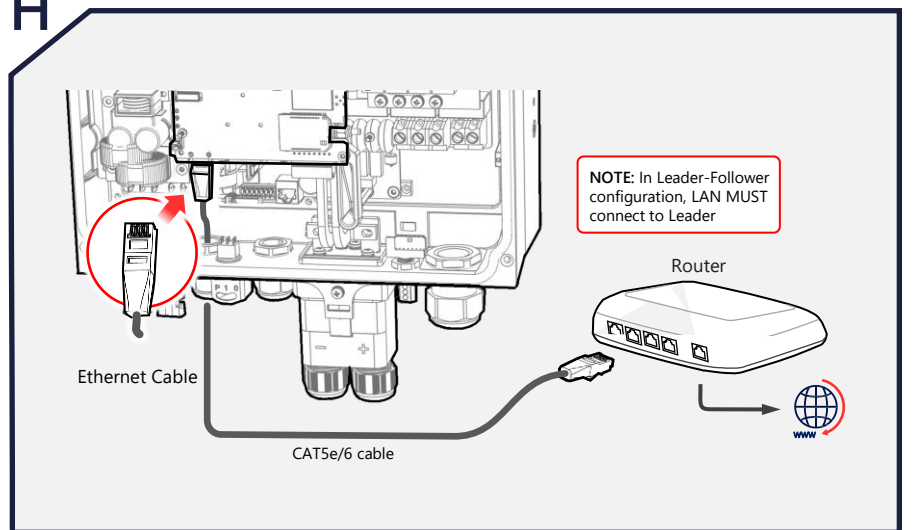
F Backup Interface Connection



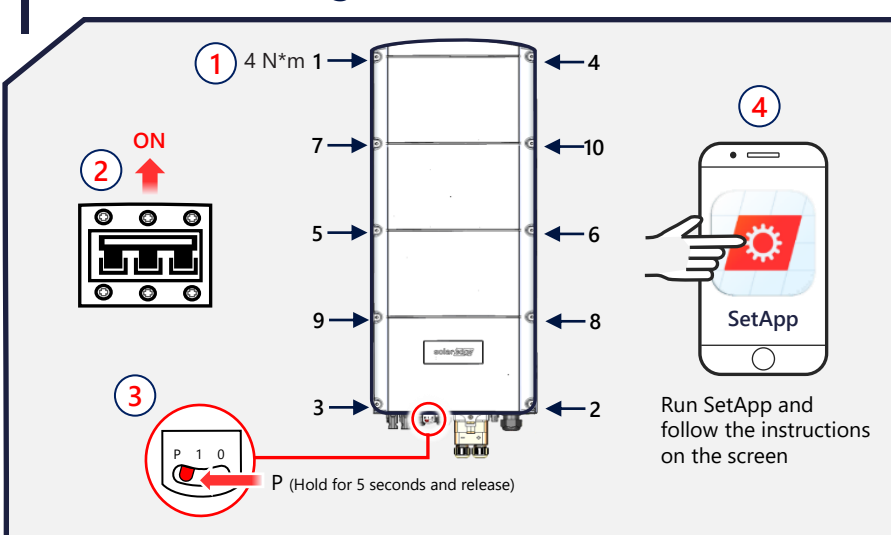
G Meter Connection (In case BUI is used, Meter shall be connected via Backup Interface. Inline meter can also be connected wirelessly)



H LAN Connection



I Commissioning the Inverter



J LED Indications

